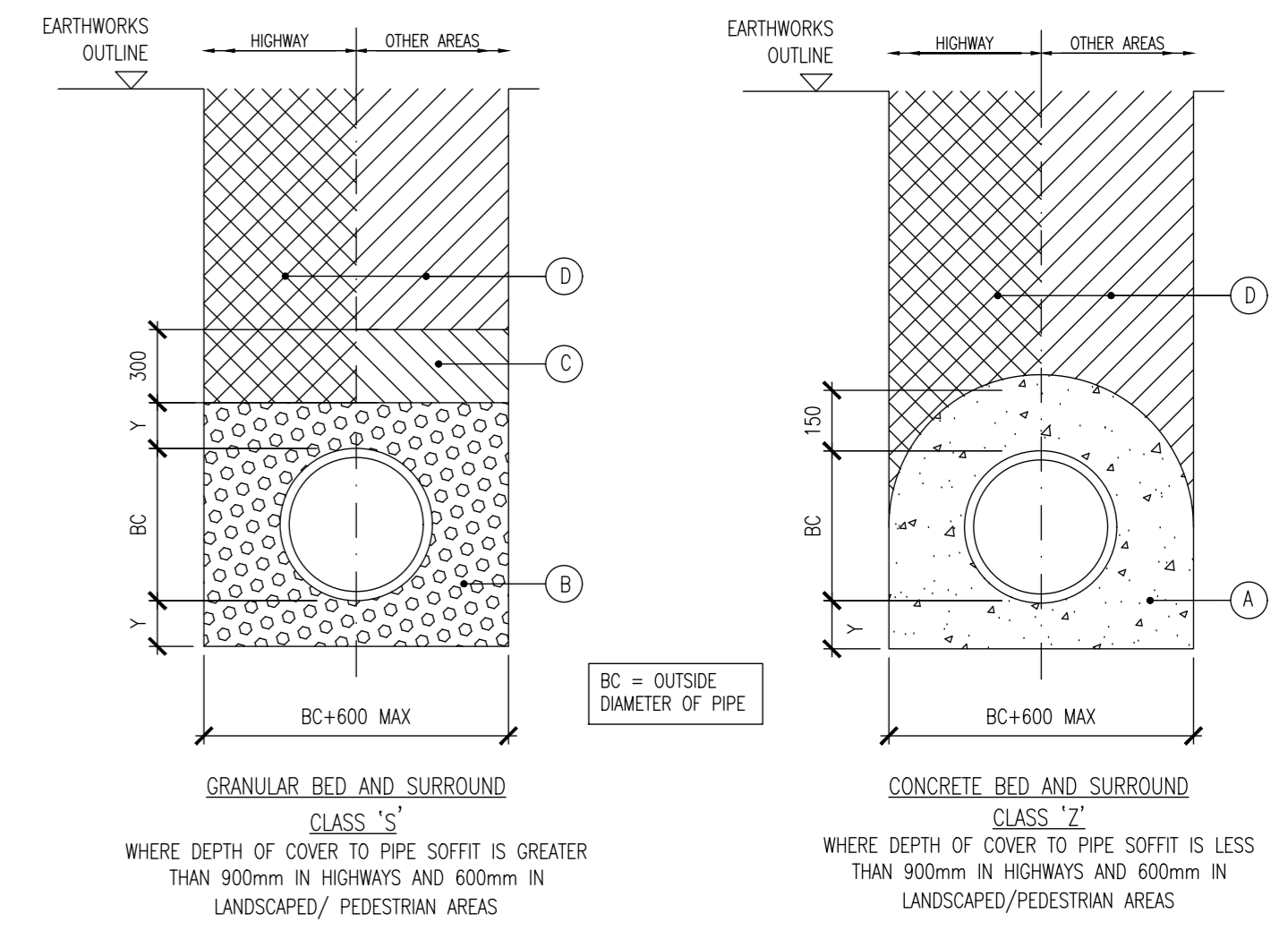


- (A) CONCRETE MIX ST4 TO BS EN 206 WITH 25mm JOINT FILLERBOARD (FLEXCELL) AT JOINT POSITIONS
- (B) PIPE BEDDING MATERIAL TO CLAUSE 503.3(i) (SHW) EVENLY COMPACTED
- (C) CLASS B LOWER TRENCH FILL TO CLAUSE 503.3(iv) (SHW) COMPACTED BY HAND
- (D) TRENCH BACKFILL WITHIN THE HIGHWAY TO BE GRANULAR TYPE 2 MATERIAL TO CLAUSE 804 (SHW) CARRIED OUT IN ACCORDANCE WITH CLAUSE 505 (SHW) TRENCH BACKFILL IN OTHER AREAS TO BE ACCEPTABLE MATERIAL (CLASS 1,2 OR 3) COMPACTED TO CLAUSE 505 (SHW)

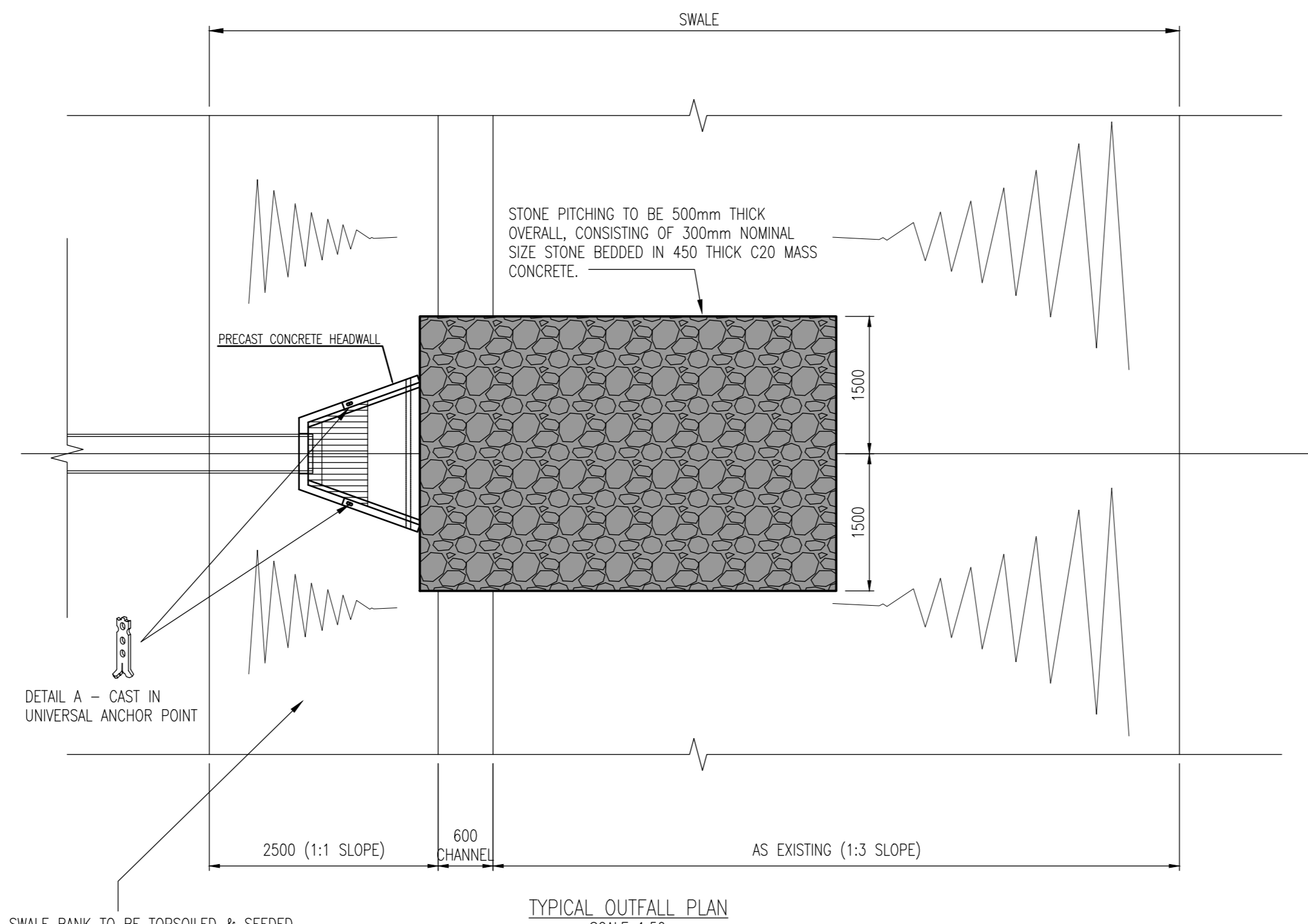
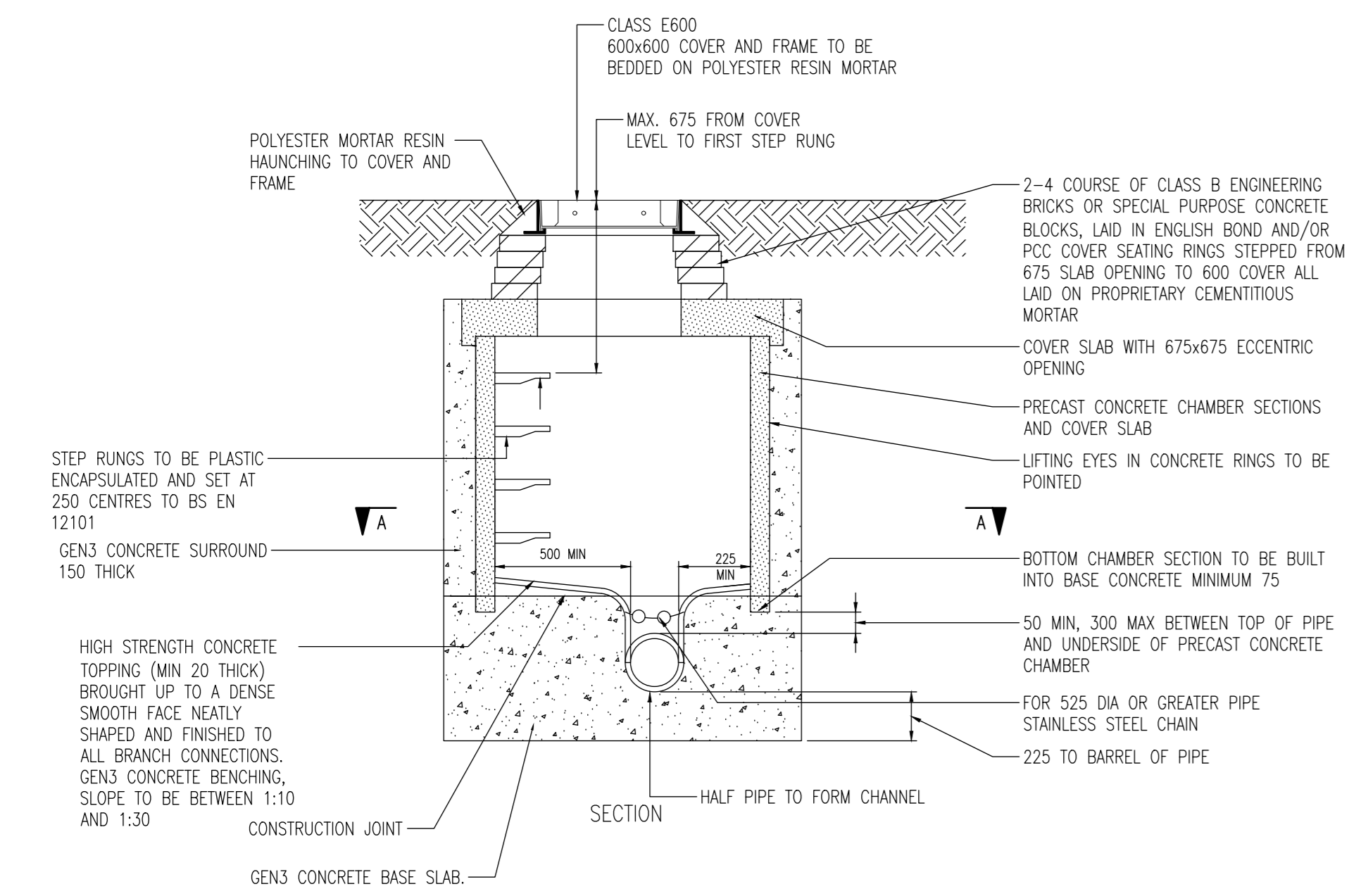


DIMENSION Y

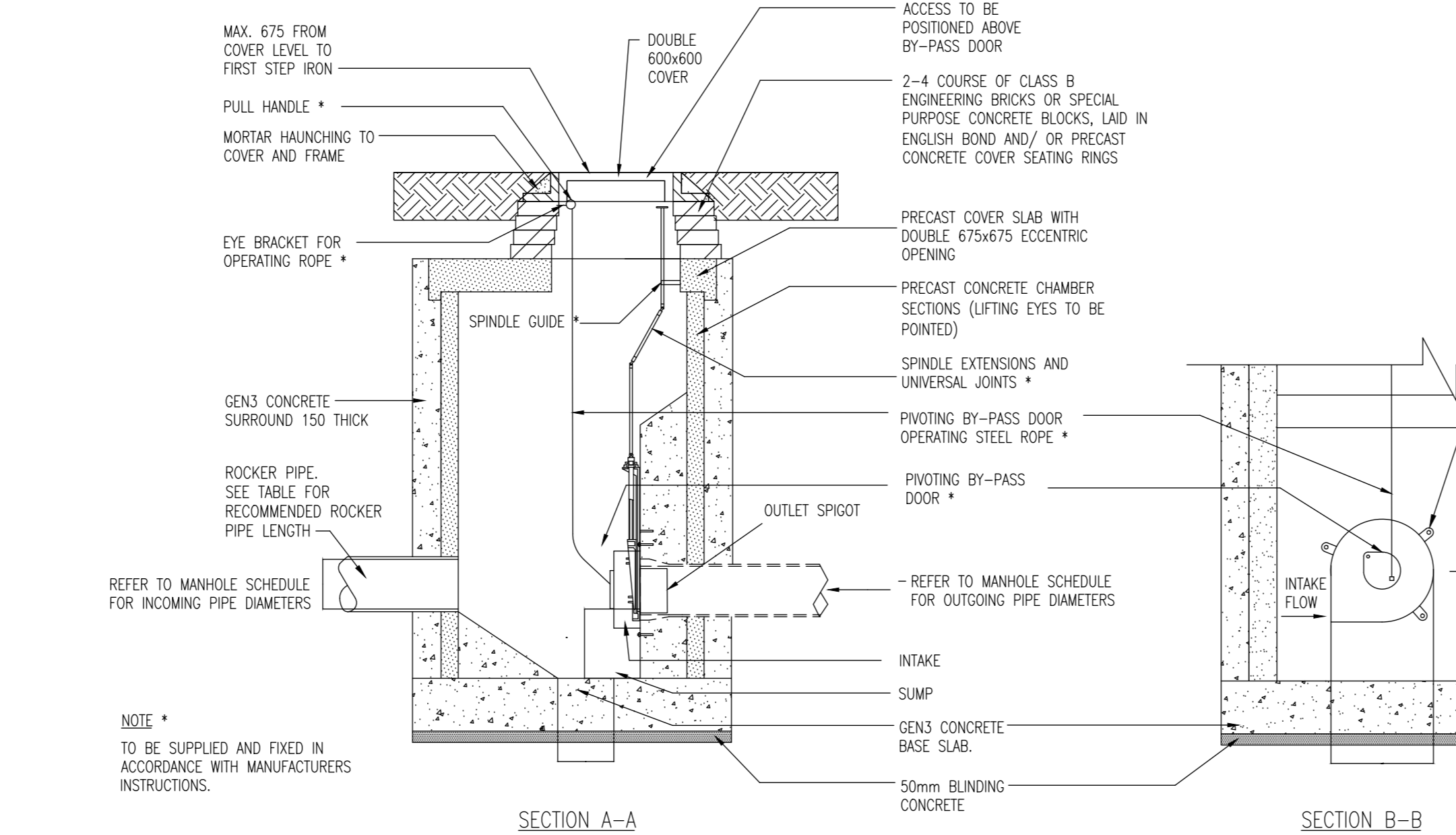
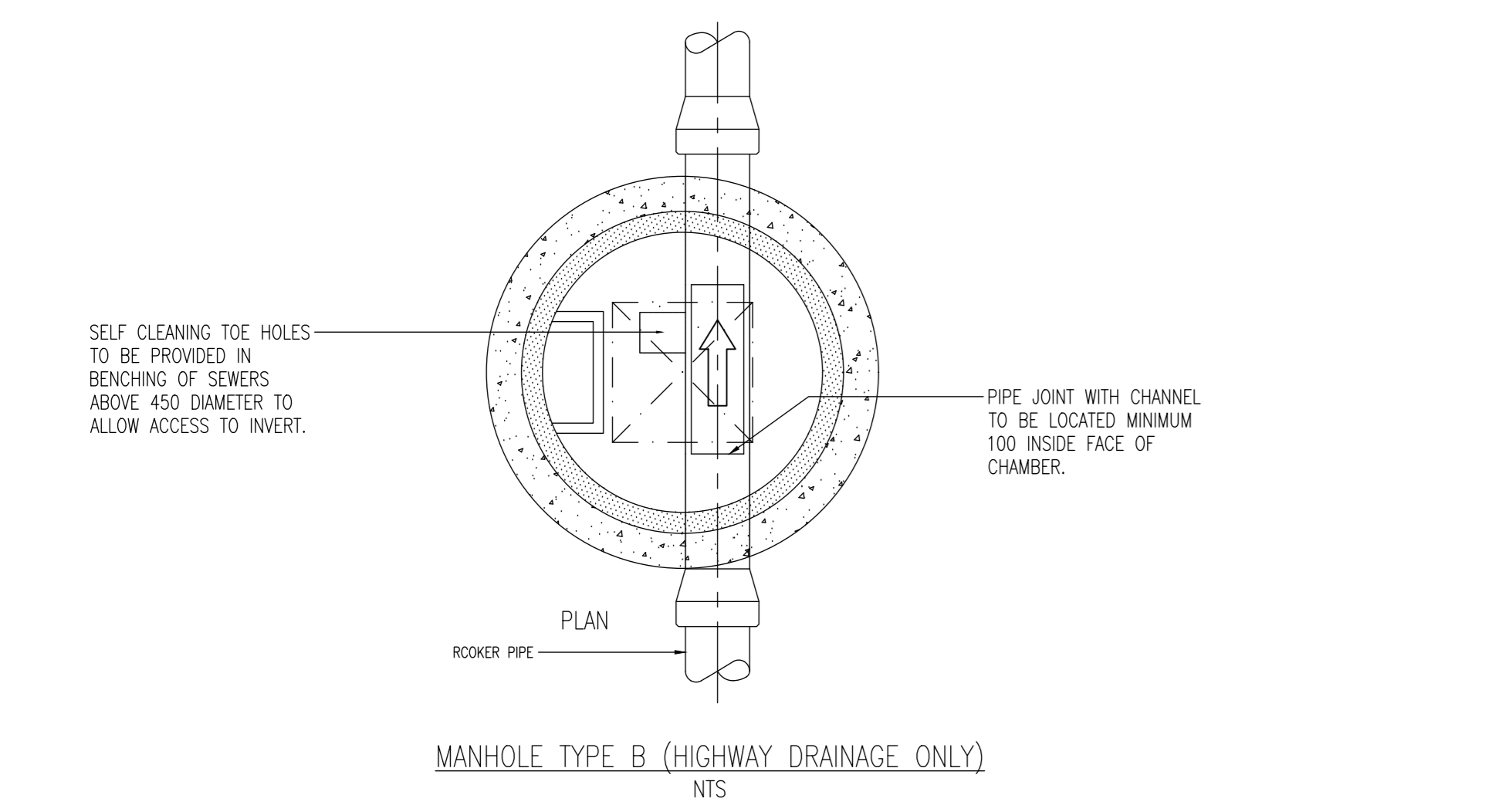
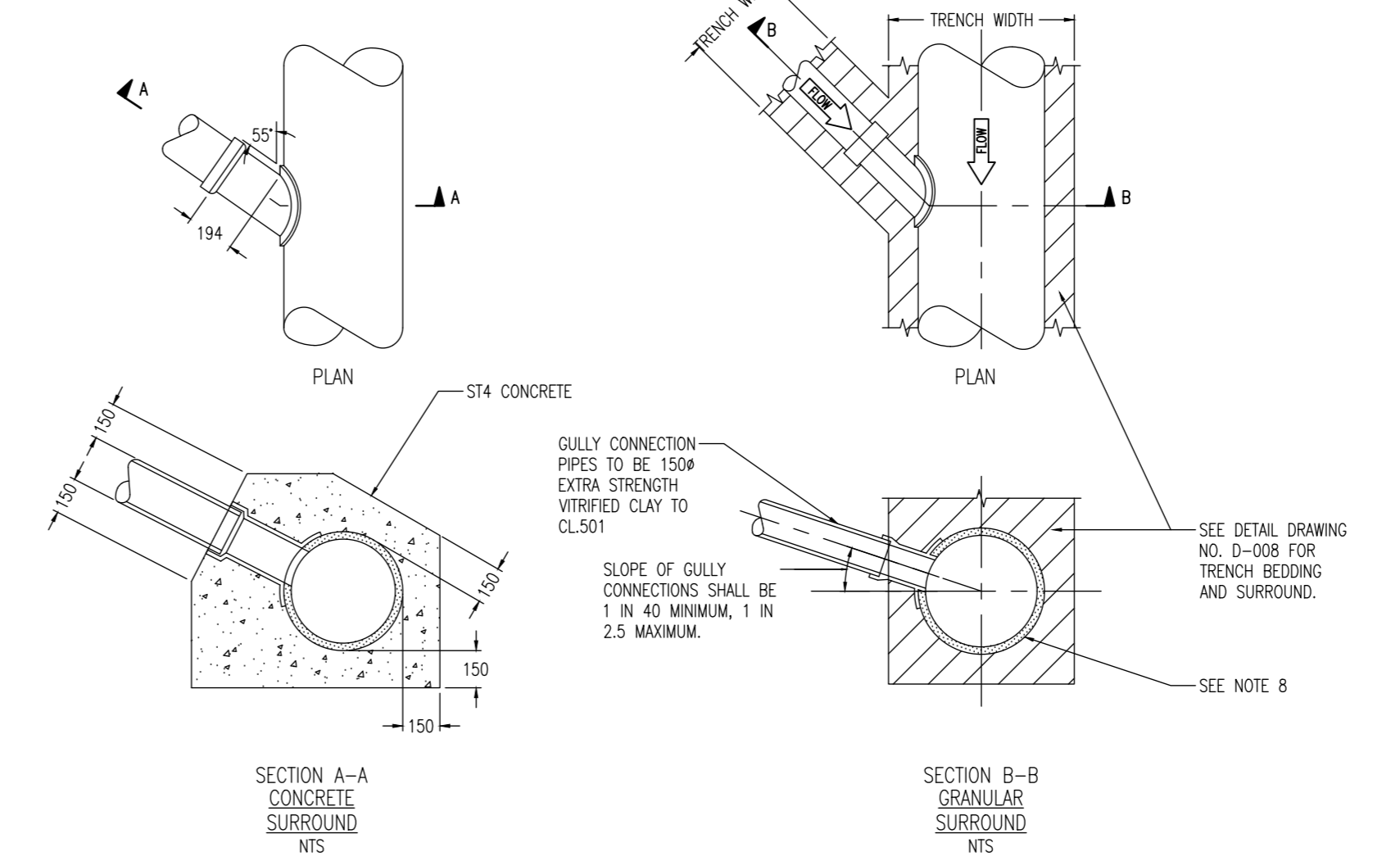
CLASS	MACHINE DUG UNIFORM SOIL	ROCK OR MIXED SOILS
S	NOTE (i)	NOTE (i)
Z	NOTE (ii)	NOTE (i)

(i) Y=BC/4, WITH MIN 100 UNDER BARRELS (50 FOR SLEEVE JOINTED) AND MIN 50 UNDER SOCKETS, WHICHEVER IS THE GREATER, WITH MAX OF 400.
 (ii) Y=BC/4, WITH MIN 200 UNDER BARRELS (150 FOR SLEEVE JOINTED) AND MIN 150 UNDER SOCKETS, WHICHEVER IS THE GREATER, WITH A MAX OF 400.

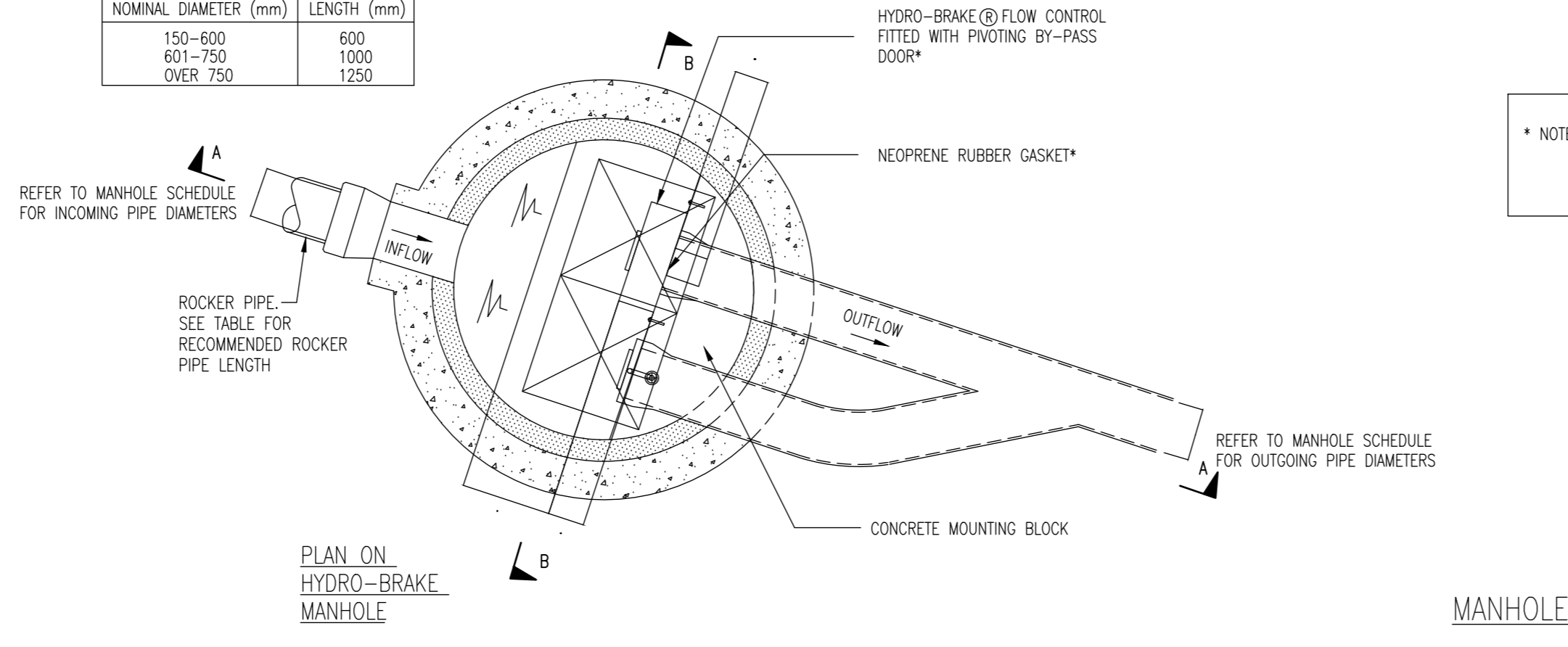
PIPE BEDDING DETAILS NTS



TYPICAL OUTFALL PLAN SCALE 1:50



ROCKER PIPE LENGTHS NOMINAL DIAMETER (mm)	EFFECTIVE LENGTH (mm)
150-400	600
401-750	1000
OVER 750	1250



MANHOLE WITH HYDROBRAKE NTS

REV	DATE	BY	DESCRIPTION	CHK	APP
A	18/12/2019	DR	FIRST ISSUE		

DRAWING STATUS: FOR PLANNING

wsp

8 First Street, Manchester, M15 4GU UK
T+44 (0) 161 220 5000
wsp.com

CLIENT: OMEGA ST HELENS LTD / TJ MORRIS LIMITED

ADDRESS: N/A

PROJECT: OMEGA ZONE 8 ST HELENS

TITLE: HIGHWAY WORKS DRAINAGE STANDARD DETAILS INFRA DWG 11

SCALE @	AS SHOWN	CHECKED	SG	APPROVED	SG
PROJECT NO.	7005969	DESIGNED	DR	DRAWN	DR
DATE	December 19				

DRAWING NO: 5969-Z8-DR-102

REV: A

© WSP UK Ltd