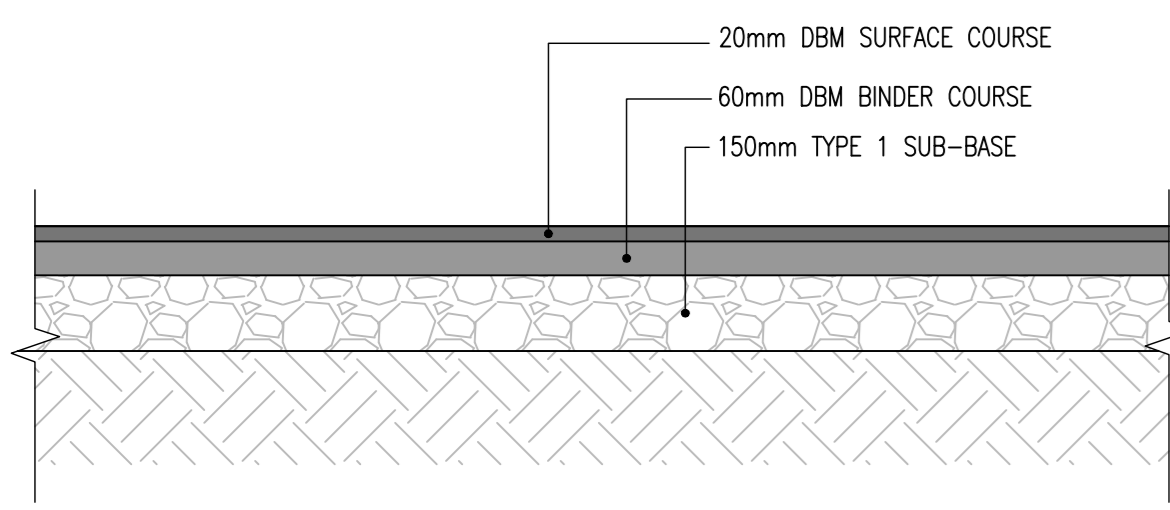


DO NOT SCALE

NOTES

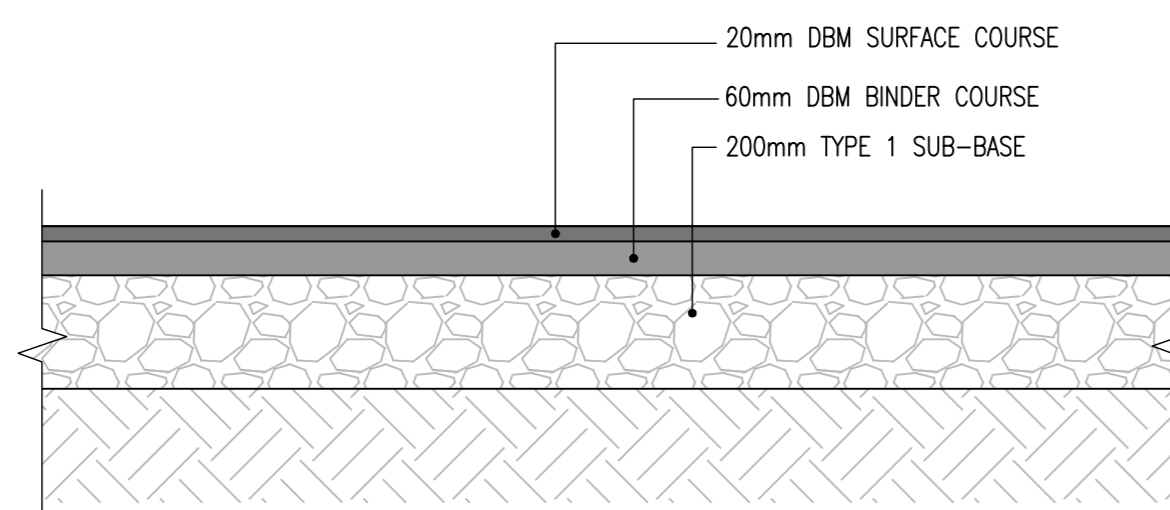
1. ALL DIMENSIONS ARE IN MILLIMETERS UNLESS STATED OTHERWISE.
2. THIS DRAWING SHOULD BE READ IN CONJUNCTION WITH ALL OTHER RELEVANT ARCHITECTURAL AND ENGINEERING DETAILS, DRAWINGS AND SPECIFICATIONS.
3. ALL WORKS ARE TO BE CONSTRUCTED IN ACCORDANCE WITH THE SPECIFICATION FOR HIGHWAY WORKS AND RELEVANT LOCAL / HIGHWAY AUTHORITY GUIDANCE.
4. ANY DISCREPANCIES SHOULD BE REPORTED TO THE ARCHITECT AND/OR ENGINEER IMMEDIATELY SO THAT CLARIFICATION CAN BE SOUGHT PRIOR TO THE COMMENCEMENT OF WORK.
5. UNDERGROUND SERVICES MAY BE PRESENT. CONTRACTOR TO CONFIRM THE PRECISE LINE AND DEPTH OF ANY UNDERGROUND SERVICES PRIOR TO ANY EXCAVATION WORK.



PAVEMENT REF: F1 - FOOTWAY / CYCLEWAY
SCALE 1:10

LAYER	CLASS	MATERIAL	BINDER	THICKNESS	SPECIAL REQUIREMENTS
SURFACE COURSE	1105	AC 4 MED SURF 160/220	N/A	20mm	FD 681 TABLE B.16 PSY COARSE AGGREGATE 45 MIN
BINDER COURSE	1105	AC 20 DENSE BNL 160/220	N/A	60mm	FD 681 TABLE B.11
SUB-BASE	803	GRANULAR SUB-BASE TYPE 1	N/A	150mm	

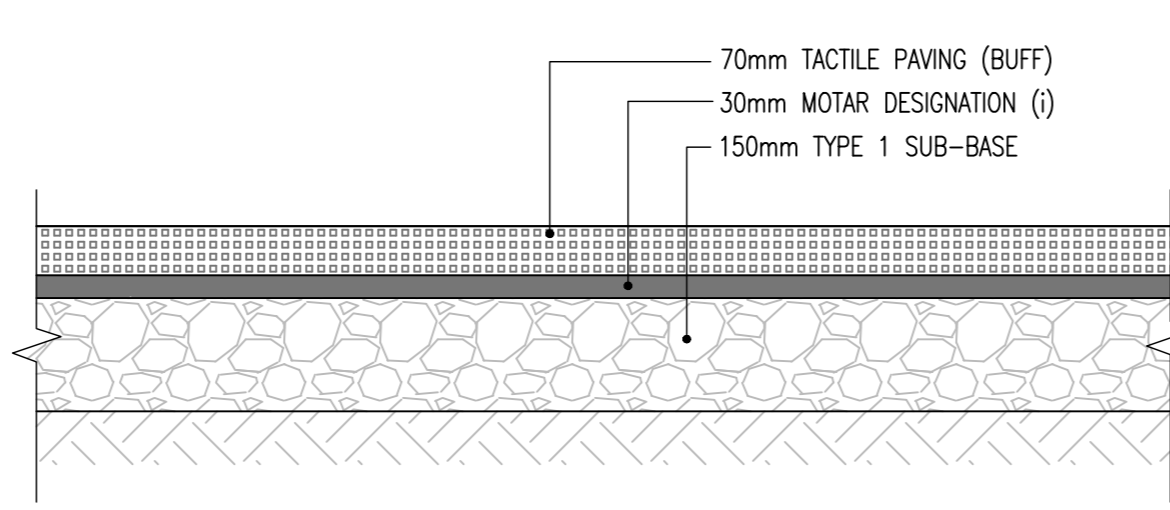
* SURFACE COURSE TO BE MACHINE LAID FOR COMBINED FOOTWAY / CYCLEWAY AREAS AND



PAVEMENT REF: F2 - FOOTWAY / CYCLEWAY (VEHICULAR LOADING)
SCALE 1:10

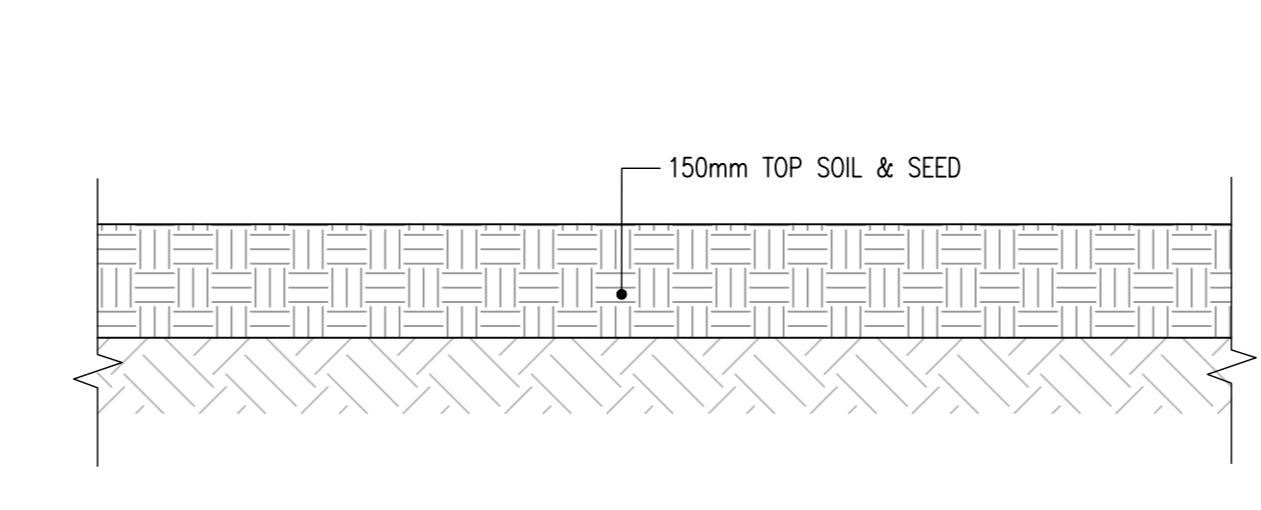
LAYER	CLASS	MATERIAL	BINDER	THICKNESS	SPECIAL REQUIREMENTS
SURFACE COURSE	1105	AC 4 MED SURF 160/220	N/A	20mm	FD 681 TABLE B.16 PSY COARSE AGGREGATE 45 MIN
BINDER COURSE	1105	AC 20 DENSE BNL 160/220	N/A	60mm	FD 681 TABLE B.11
SUB-BASE	803	GRANULAR SUB-BASE TYPE 1	N/A	200mm	

* SURFACE COURSE TO BE MACHINE LAID FOR COMBINED FOOTWAY / CYCLEWAY AREAS AND



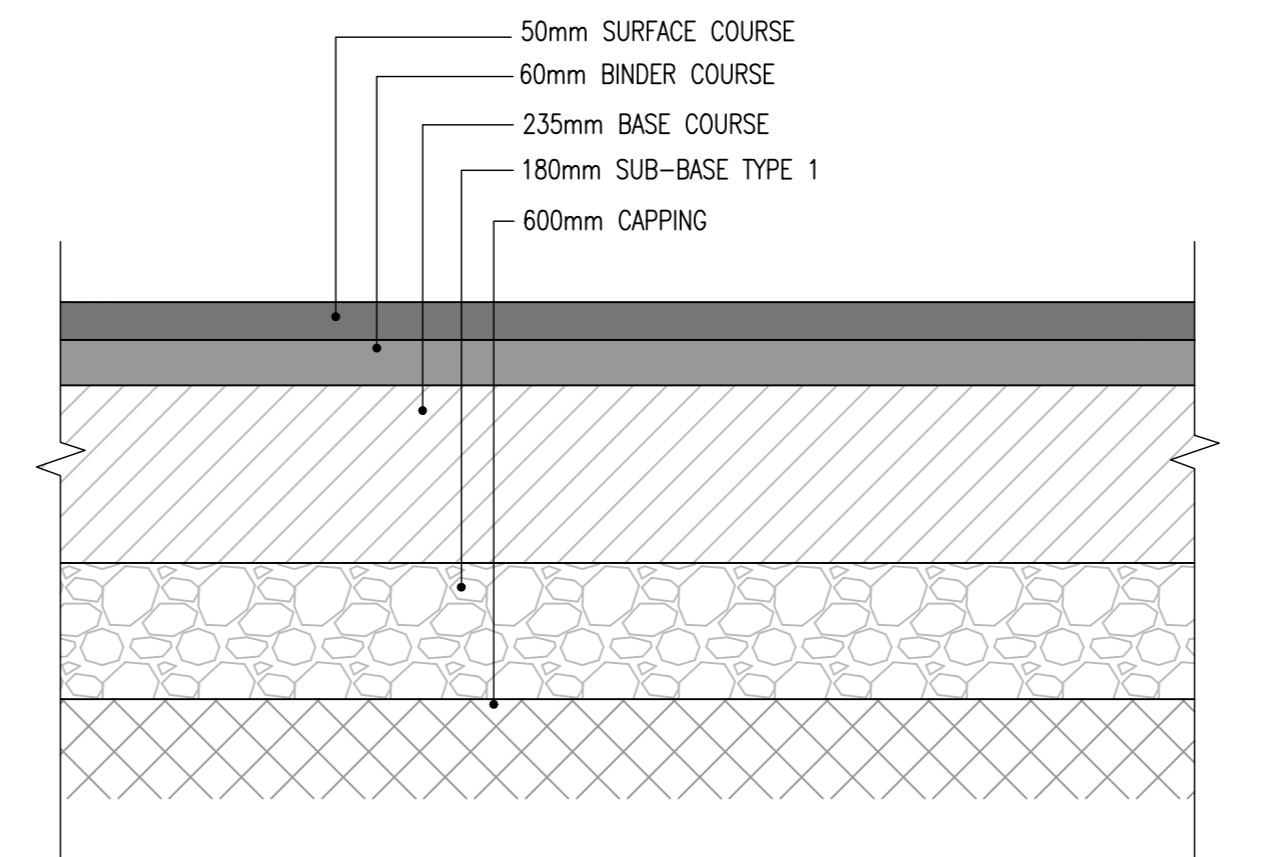
PAVEMENT REF: F3 - TACTILE PAVING
SCALE 1:10

LAYER	CLASS	MATERIAL	BINDER	THICKNESS	SPECIAL REQUIREMENTS
SURFACE COURSE		TACTILE PAVING BLOCKS 450x450	N/A	70mm	N ACCORDANCE WITH MISC DETAIL REF: E.258/1185/18
BINDER COURSE		BEDDING MORTAR DESIGNATION (i)	N/A	30mm	TO CL 2404
SUB-BASE	803	GRANULAR SUB-BASE TYPE 1	N/A	150mm	



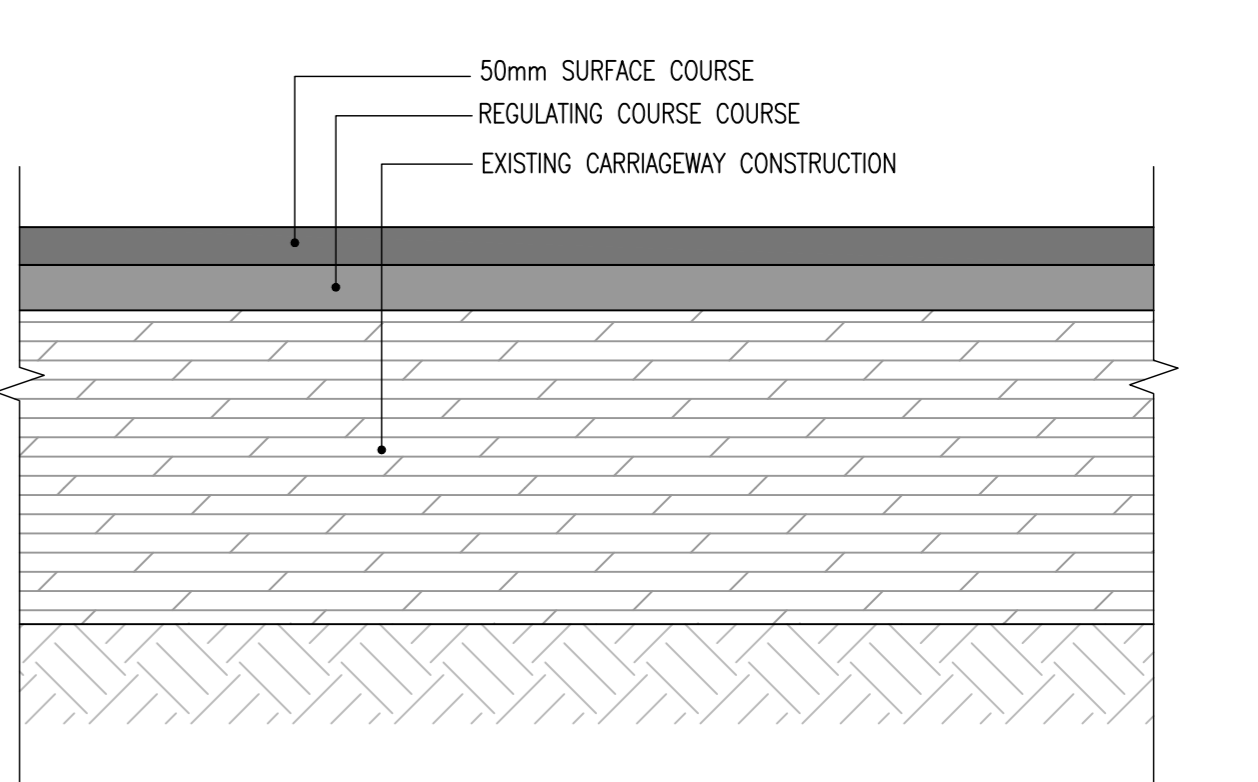
LANDSCAPING REF: L1 - TOP SOIL & GRASS SEED
SCALE 1:10

LAYER	CLASS	MATERIAL	BINDER	THICKNESS	SPECIAL REQUIREMENTS
SURFACE COURSE	3005	TOPSOIL WITH GRASS SEED DRY WEIGHT DECREASED AT A RATE OF NOT LESS THAN 2% PER		150mm	BS: 4428 FIRST CUT TO BE UNDERTAKEN BY DEVELOPER (INCLUDING STONE PICKING IF APPLICABLE)



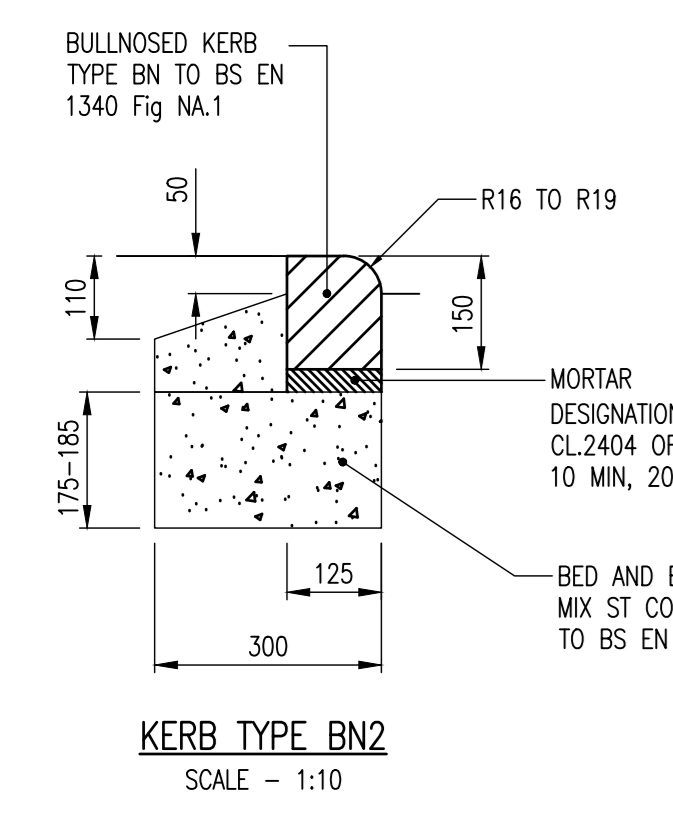
PAVEMENT REF: P1 - ASPHALT CONCRETE CONSTRUCTION
SCALE 1:10

LAYER	CLASS	MATERIAL	BINDER	THICKNESS	SPECIAL REQUIREMENTS
SURFACE COURSE	910	HRA 30/14F SURF 40/60 DES	N/A	50mm	BS EN 13108-4, CHIPPINGS 14/20mm, PSY 63, TEXTURE DEPTH 1.2mm
BINDER COURSE	906	AC20 DENSE HEM BN 40/60	125 PEN	60mm	BS 13108, PG 6661
BASE COURSE	906	AC32 DENSE HEM BN 40/60	125 PEN	235mm	BS 13108, PG 6661
SUB-BASE	803	GRANULAR TYPE 1	N/A	180mm	GBR 1333L
CAPPING	813	CLASS 1A FILL MATERIAL	N/A	600mm	GBR 1333L, SUB-FORMATION TO HAVE GBR 82.5%

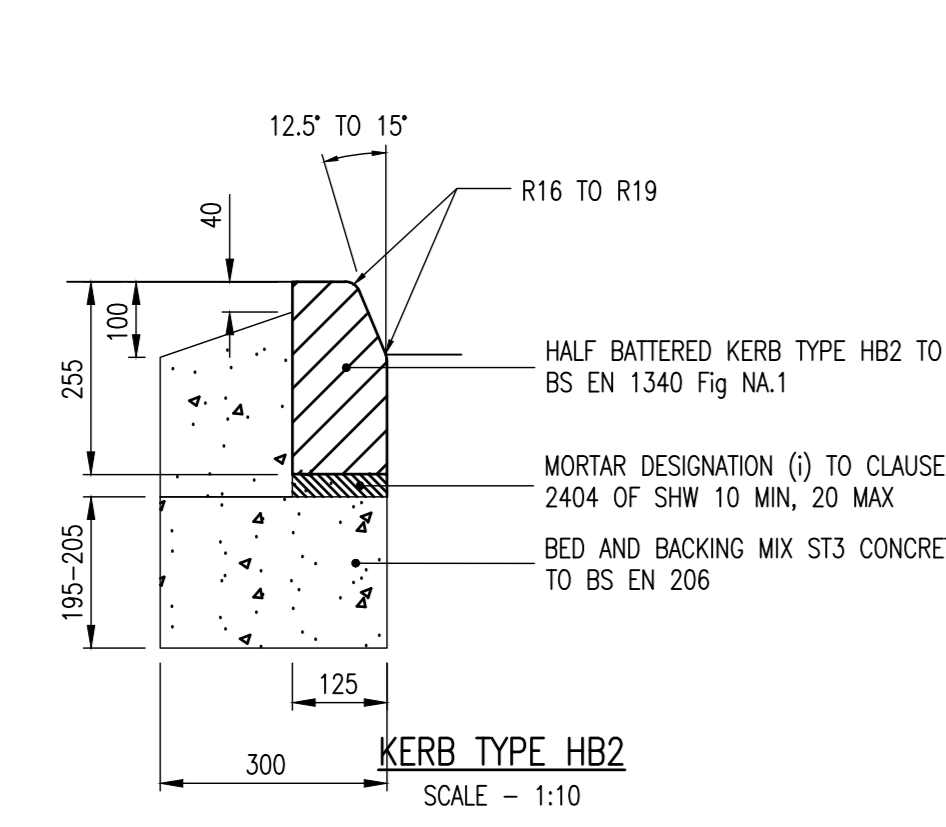


PAVEMENT REF: P2 - ASPHALT CONCRETE RESURFACING
SCALE 1:10

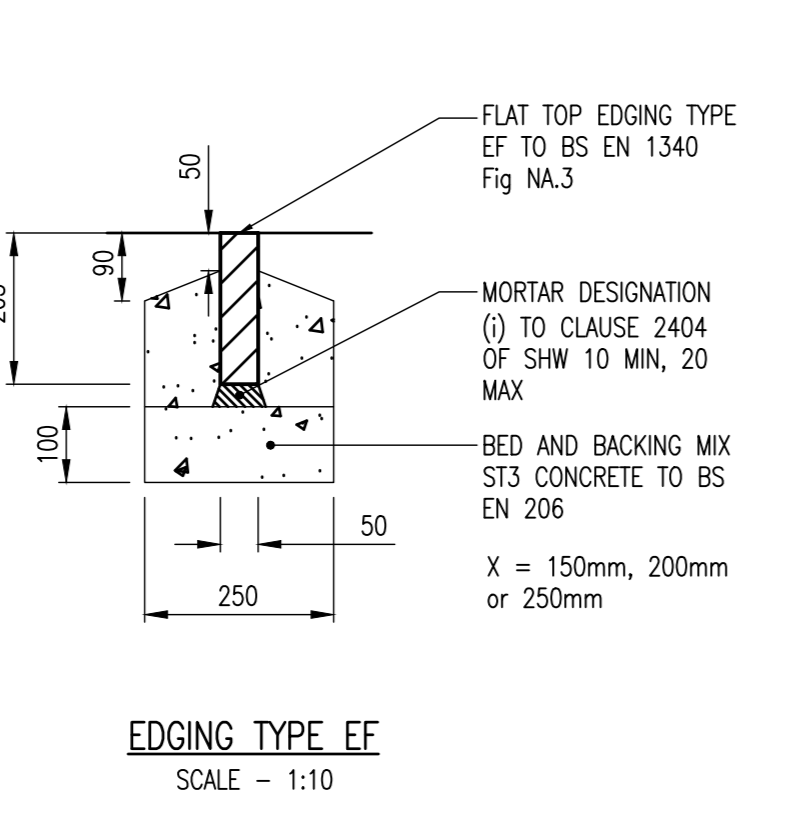
LAYER	CLASS	MATERIAL	BINDER	THICKNESS	SPECIAL REQUIREMENTS
SURFACE COURSE	910	HRA 30/14F SURF 40/60 DES	N/A	50mm	BS EN 13108-4, CHIPPINGS 14/20mm, PSY 63, TEXTURE DEPTH 1.2mm
REGULATING COURSE	906	AC20 DENSE HEM BN 40/60	125 PEN	VARIES	BS 13108, PG 6661



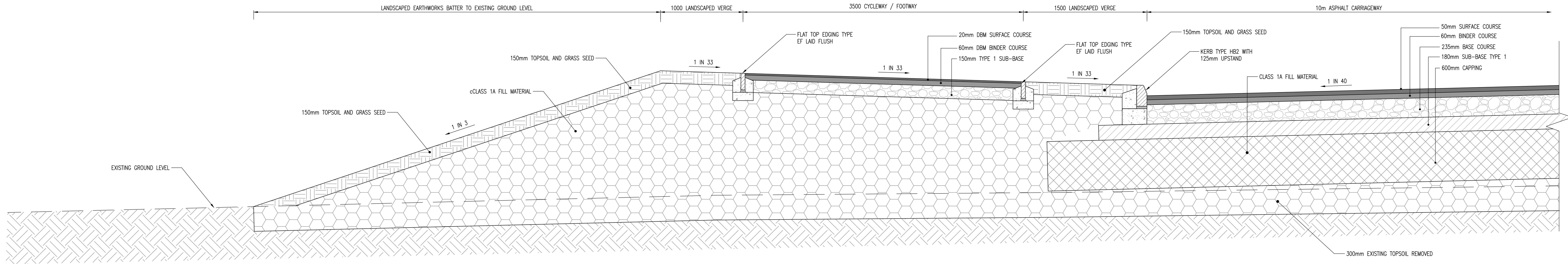
KERB TYPE BN2
SCALE 1:10



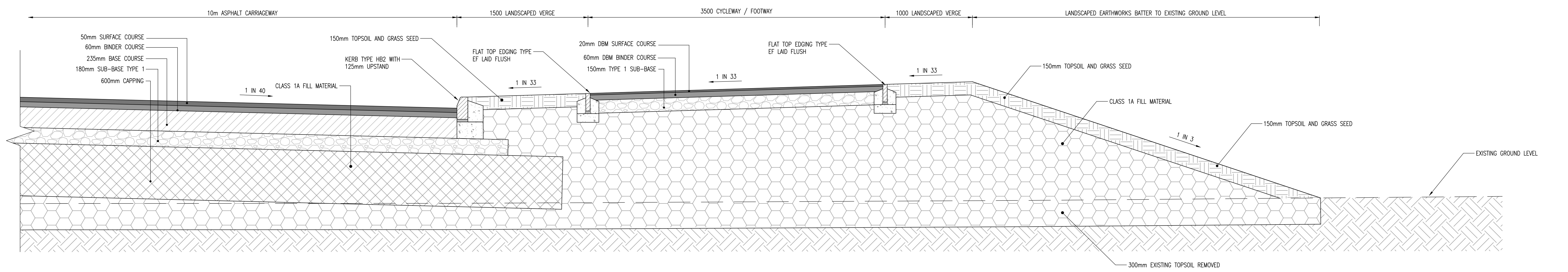
KERB TYPE HB2
SCALE 1:10



EDGING TYPE EF
SCALE 1:10



SECTION A - A
TYPICAL SECTION THROUGH MAIN HIGHWAY
SCALE 1:20



SECTION B - B
TECHNICAL SECTION THROUGH SHARED PATH
SCALE 1:20

REV	DATE	BY	DESCRIPTION	CHK	APP
A	18/12/2019	TS	FIRST ISSUE		

DRAWING STATUS: PLANNING



8 First Street, Manchester, M15 4GU UK
T+44 (0) 161 220 5000
wsp.com

CLIENT: OMEGA ST HELENS LTD / T.J. MORRIS LIMITED

ARCHITECT: N/A

PROJECT: OMEGA ZONE 8 ST HELENS

TITLE: HIGHWAY WORKS STANDARD CONSTRUCTION DETAILS INFRA DWG 8

SCALE	AS SHOWN	CHECKED	SG	APPROVED	SG
PROJECT NO.	70065969	DESIGNED	TS	DRAWN	TS
DATE	December 19				

DRAWING NO: 5969-Z8-SD-100

REV: A

© WSP UK Ltd