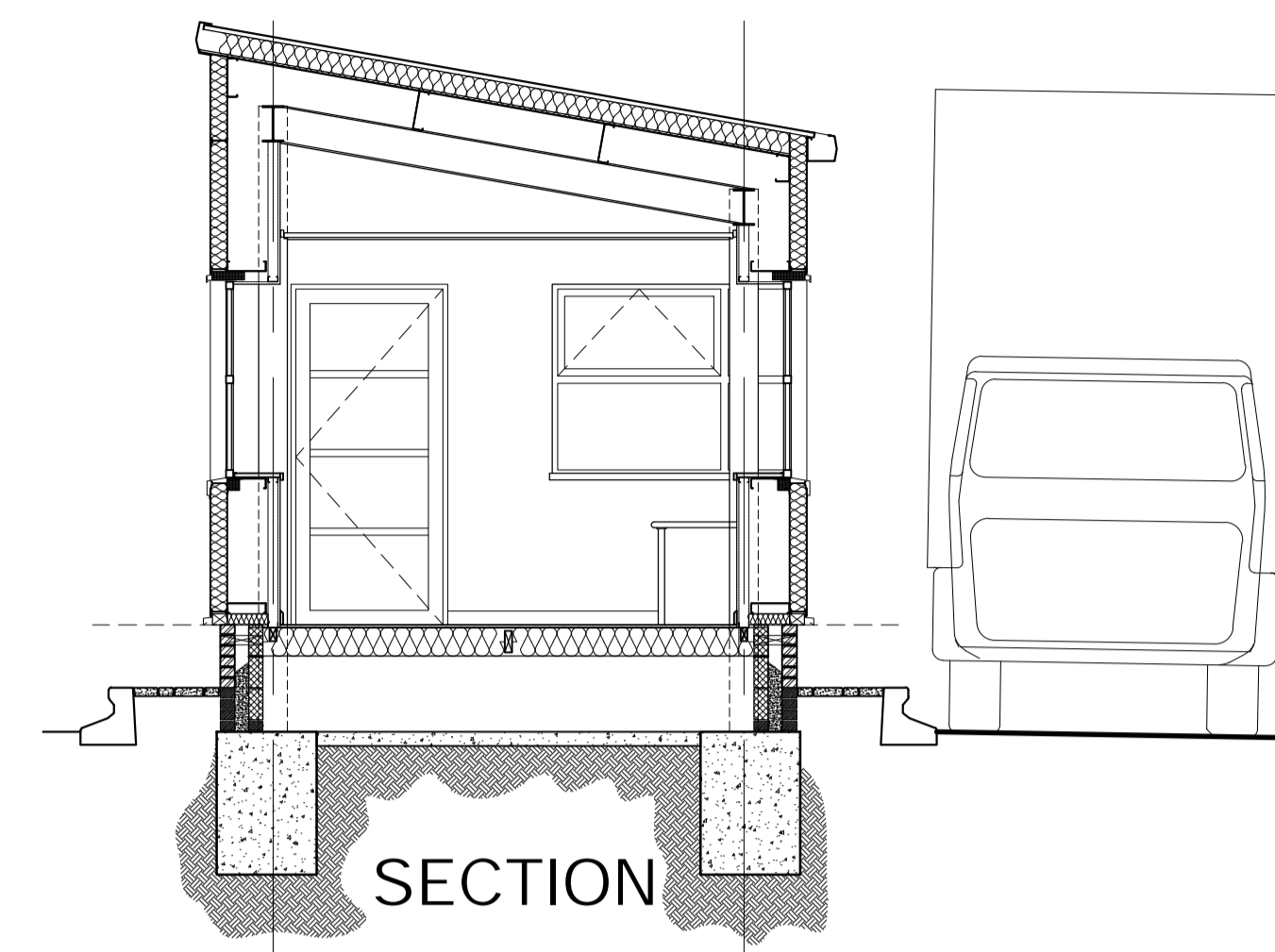


GATEHOUSE LAYOUT



GATEHOUSE ELEVATIONS

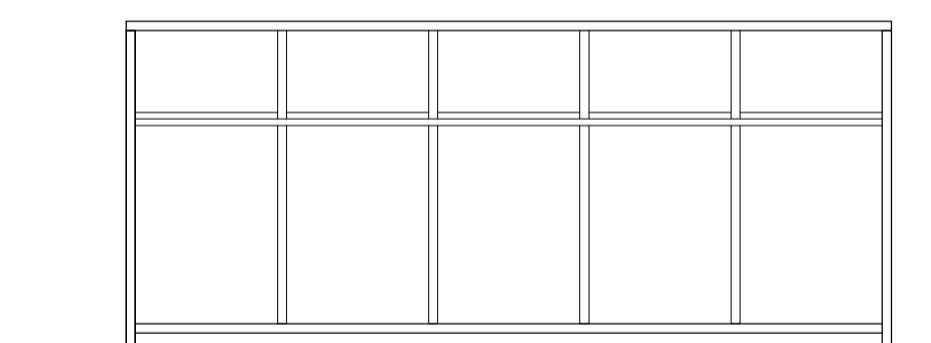


Schedule of Materials

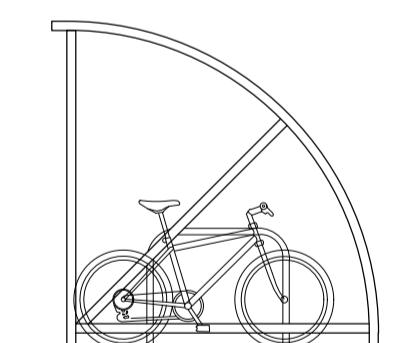
Roof
 Profiled metal cladding panels in
 Goosewing Grey with goosewing grey fascia.

Walls
 Horizontal steel faced composite
 insulated panels with Microrib outer profile
 HPS 200 colour coated.
 Colour: Adventura/Alaska Grey, RAL 7000

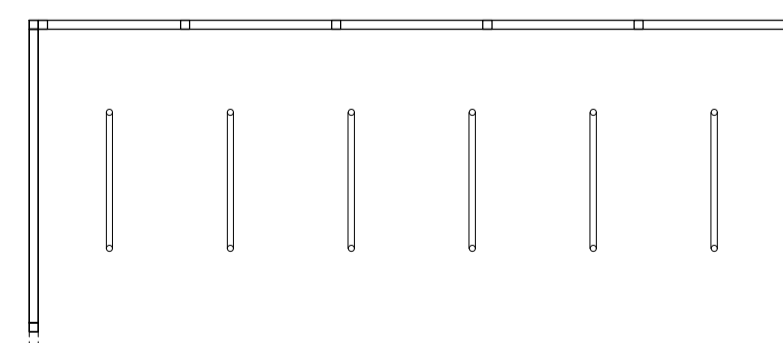
Windows/Doors
 Polyester powder coated frames in
 Adventura/Alaska Grey, RAL 7000
 with grey tinted glazing.



Front Elevation



End Elevation



Plan
 Standard Hoop Layout
 (12 No. Cycles)

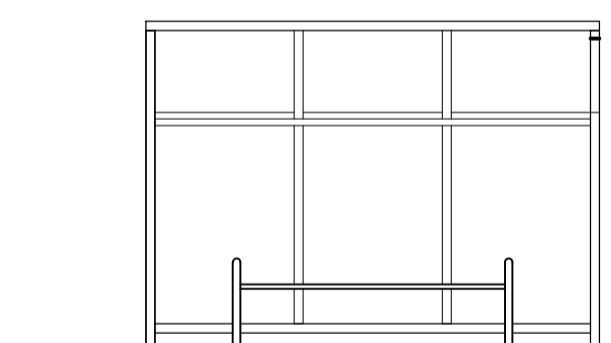
TYPICAL CYCLE SHELTER

SPECIFICATION FOR SHELTERS:

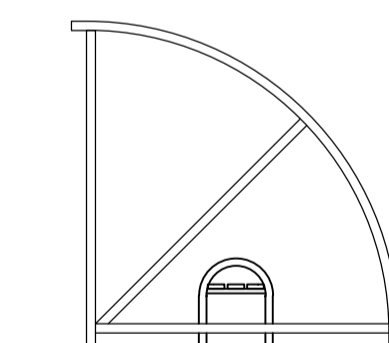
Frame of heavy duty galv SHS steel frame with clear polycarbonate glazing to roof and ends. Model Falcoquarter shelter by Falco (UK) limited.

Shelter fit out with Falco with Sheffield cycle stand size 41.5 mmØ x 900mm long x 800mm high plus 300mm set below ground. Stands set out as indicated.

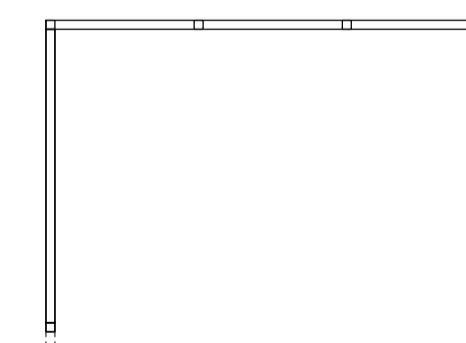
Cycle shelters to be adequately lit in accordance with BS 5489 Pt 1 - Lighting of Roads and Amenity Areas



Front Elevation



End Elevation



Plan

TYPICAL SMOKING SHELTER

SPECIFICATION FOR SHELTERS:

Frame of heavy duty galv SHS steel frame with clear polycarbonate glazing to roof and ends. Model Falcoquarter shelter by Falco (UK) limited.

Shelter fit out with:
 Falco Swing bench size 1800mm long.
 Freestanding Falco CeniCero Ashtray.

Shelter to be adequately lit in accordance with BS 5489 Pt 1 - Lighting of Roads and Amenity Areas

no.	date	revision	by
A	14-01-20	Scale added	spp



aja architects llp
 1170 Elliott Court
 Herald Avenue
 Coventry Business Park
 COVENTRY CV5 6UB
 T: 024 7625 3200
 F: 024 7625 3210
 E: aja@aja-architects.com
 W: www.aja-architects.com

aja architects llp is a limited liability partnership registered in England No. OC326721
 client

Omega St Helens Ltd/
 TJ Morris Ltd

project

Unit 1
 Omega Zone 8
 St. Helens

drawing

Gatehouse, Smoking Shelter
 & Cycle Shelter Details
 UNIT 1 DWG. 8, 9 & 10

scale 1:50 @ A1 drawn rp

checked sp date 10-12-19

no

6385 - 188 A